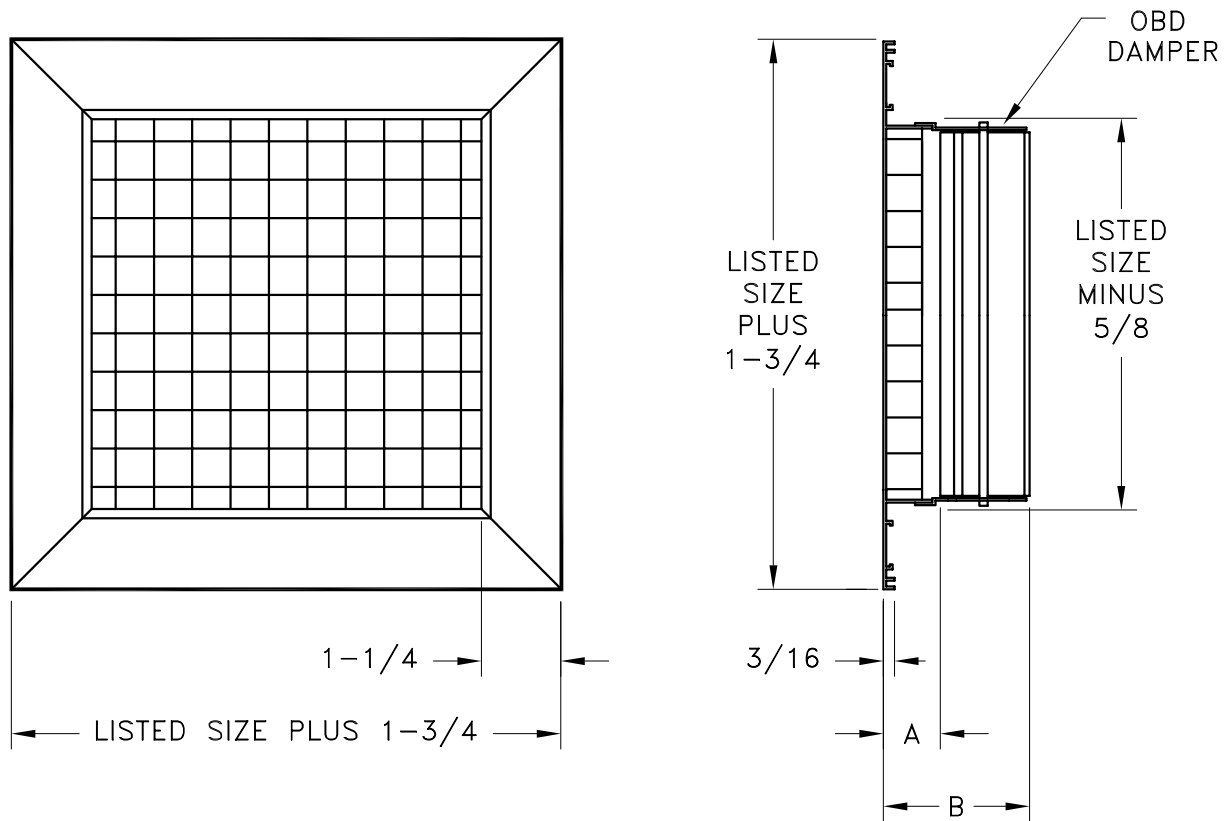


MODEL ALEC

EXHAUST GRILLE FOR T-BAR CEILING

FRAME 33

STANDARD INDUSTRY TOLERANCES APPLY. SPECIFICATIONS SUBJECT TO CHANGE WITHOUT NOTICE.



STD PANEL SIZES
12 X 12
24 X 12
24 X 24
48 X 24
48 X 48

MODEL	GRID CORE DIMENSIONS	A	B
ALEC-5	1/2x1/2x1/2	1-1/16	2-3/8
ALEC-10	1x1x1	1-9/16	2-7/8
ALEC-15	1/2x1/2x1	1-9/16	2-7/8

The Models ALEC-5, -10, -15 with frame 33 are T-bar return air grilles that have an aluminum square pattern grid providing maximum free area and minimum see through. The optional opposed blade damper (OBD) is offered in steel with aluminum as another option. Standard finish is white.

PROJECT: _____
 ARCHITECT: _____
 ENGINEER: _____
 CONTRACTOR: _____
 LOCATION: _____



J&J REGISTER
AIR DISTRIBUTION PRODUCTS