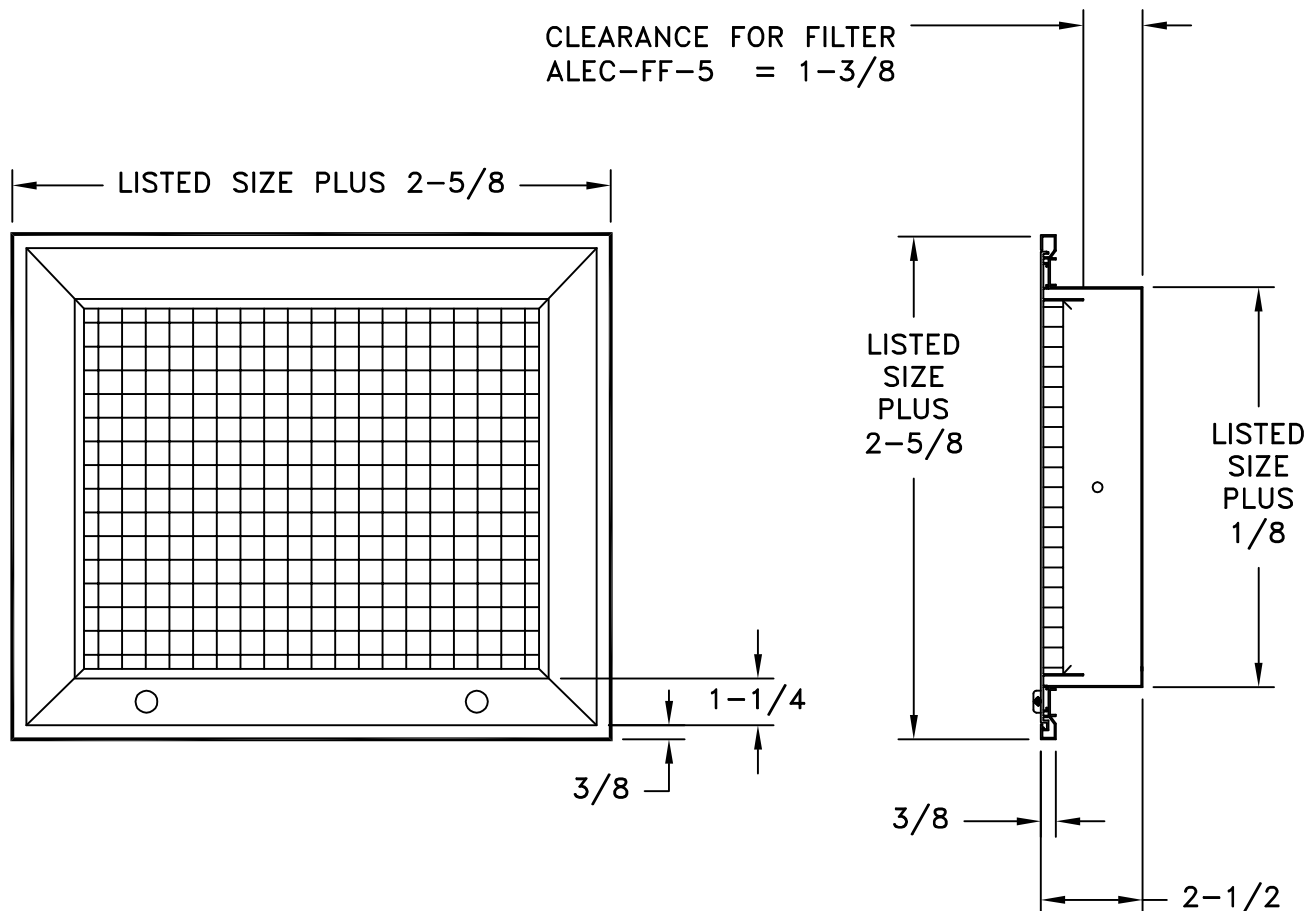


# MODEL ALEC-FF

## HINGED FILTER FRAME

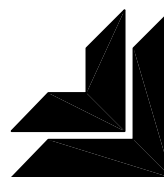
STANDARD INDUSTRY TOLERANCES APPLY. SPECIFICATIONS SUBJECT TO CHANGE WITHOUT NOTICE.



The Model ALEC-FF-5 is a return air filter grille that has an aluminum square pattern grid providing maximum free area. ALEC-FF-5 has a 1/2" x 1/2" x 1/2" core grid.

The Model ALEC-FF has concealed hinges with knurled knobs and an aluminum frame. 1" disposable filter (by others). Standard finish is white.

PROJECT: \_\_\_\_\_  
 ARCHITECT: \_\_\_\_\_  
 ENGINEER: \_\_\_\_\_  
 CONTRACTOR: \_\_\_\_\_  
 LOCATION: \_\_\_\_\_



**J&J REGISTER**  
 AIR DISTRIBUTION PRODUCTS