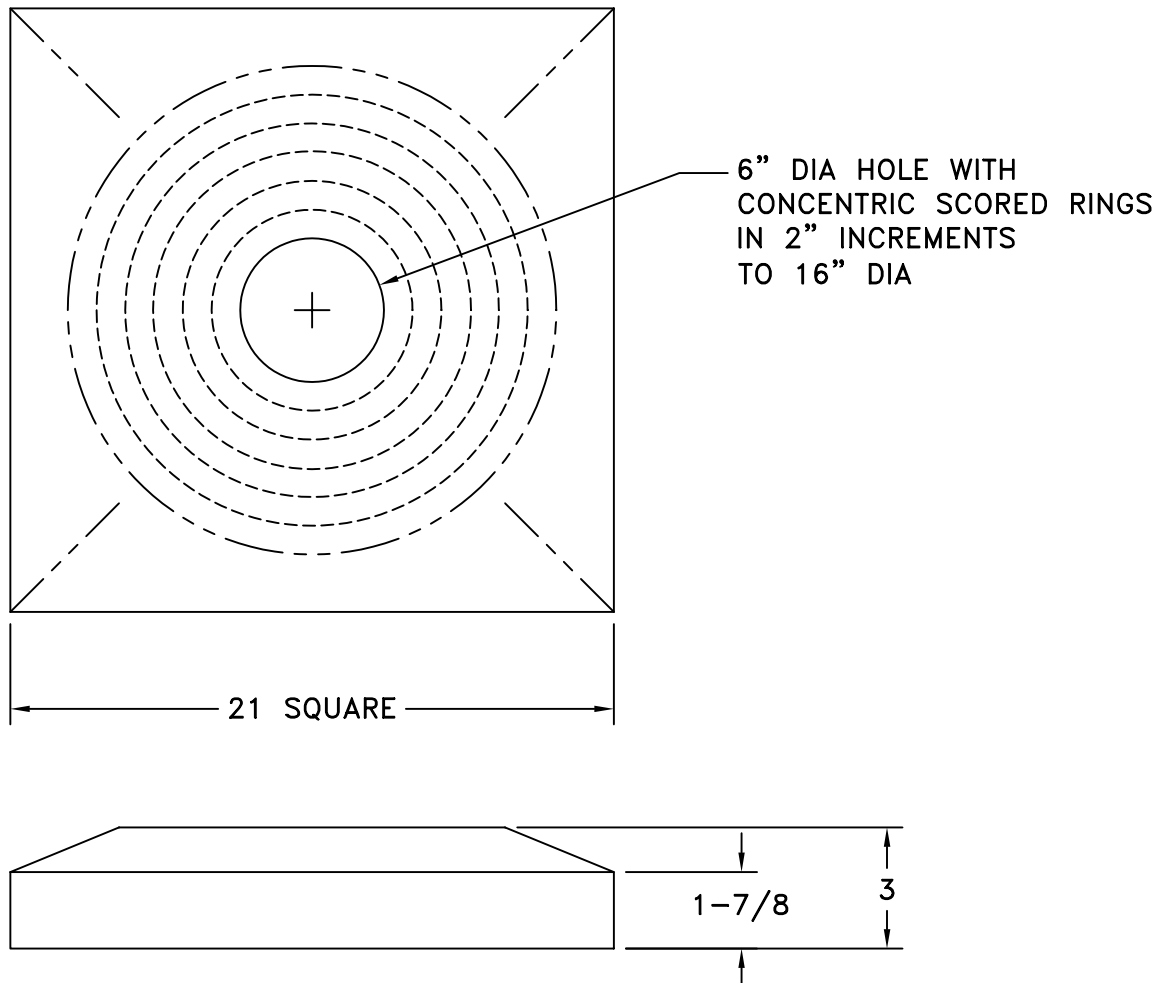


MODEL RZPL

PLASTIC PLENUM

FOR RZ1444

STANDARD INDUSTRY TOLERANCES APPLY. SPECIFICATIONS SUBJECT TO CHANGE WITHOUT NOTICE.



Model RZPL is made from an Engineered ABS Polymer. Model RZPL is a back panel for the RZ1444. Model RZPL can adapt to fit 6", 8", 10", 12", 14" and 16" collars. Installer cuts pre-scored rings to adapt the back panel to 8" through 16". Standard finish is white.

PROJECT: _____
 ARCHITECT: _____
 ENGINEER: _____
 CONTRACTOR: _____
 LOCATION: _____



J&J REGISTER
AIR DISTRIBUTION PRODUCTS