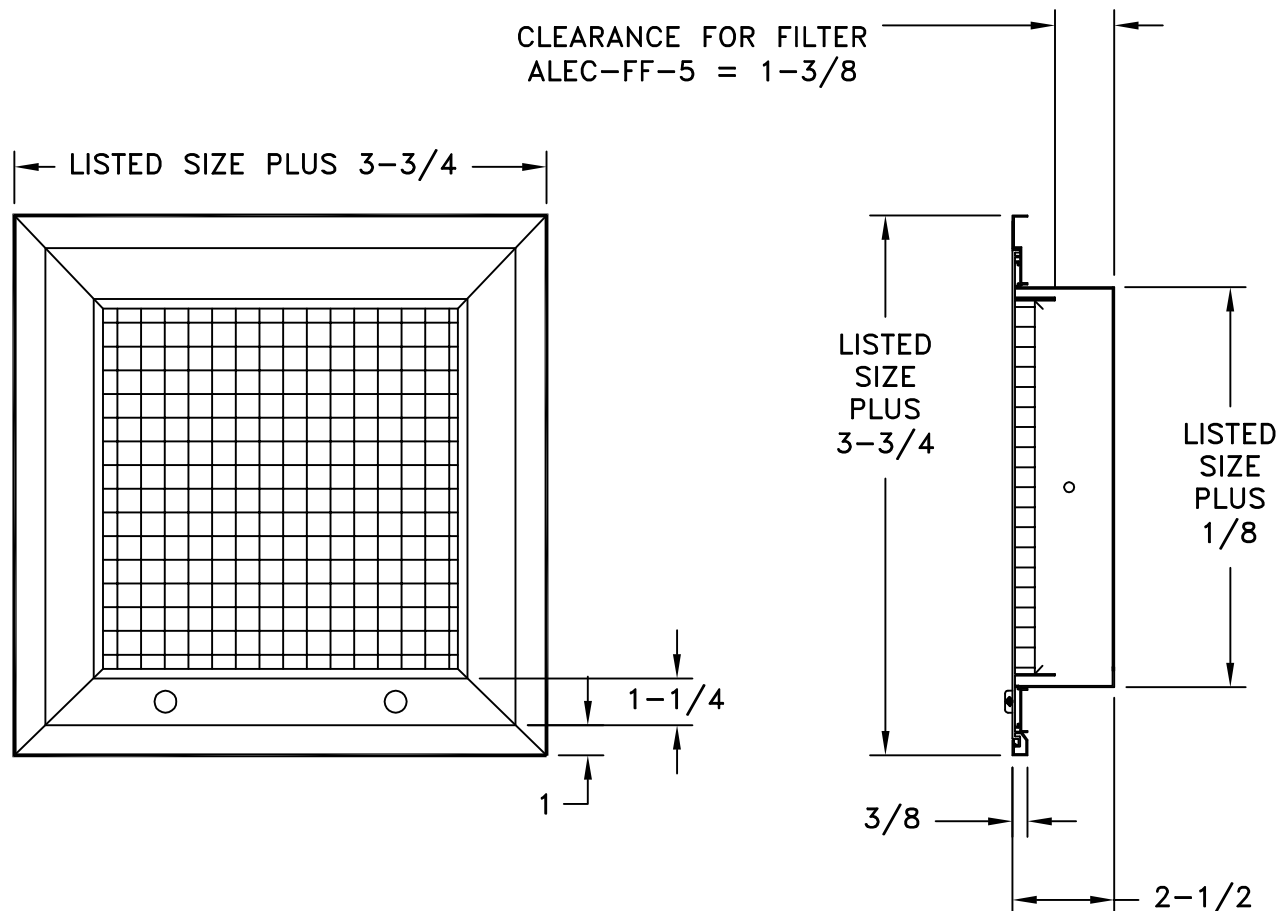


MODEL ALEC-FF

HINGED FILTER FRAME FOR T-BAR CEILING

FRAME 33

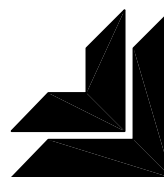
STANDARD INDUSTRY TOLERANCES APPLY. SPECIFICATIONS SUBJECT TO CHANGE WITHOUT NOTICE.



The Model ALEC-FF-5 is a return air filter grille that has an aluminum square pattern grid providing maximum free area. ALEC-FF-5 has a 1/2" x 1/2" x 1/2" core grid.

The Model ALEC-FF has concealed hinges with knurled knobs and an aluminum frame. 1" disposable filter (by others). For nominal 2 x 2 and 2 x 4 ceilings. Standard finish is white.

PROJECT: _____
 ARCHITECT: _____
 ENGINEER: _____
 CONTRACTOR: _____
 LOCATION: _____



J&J REGISTER
 AIR DISTRIBUTION PRODUCTS