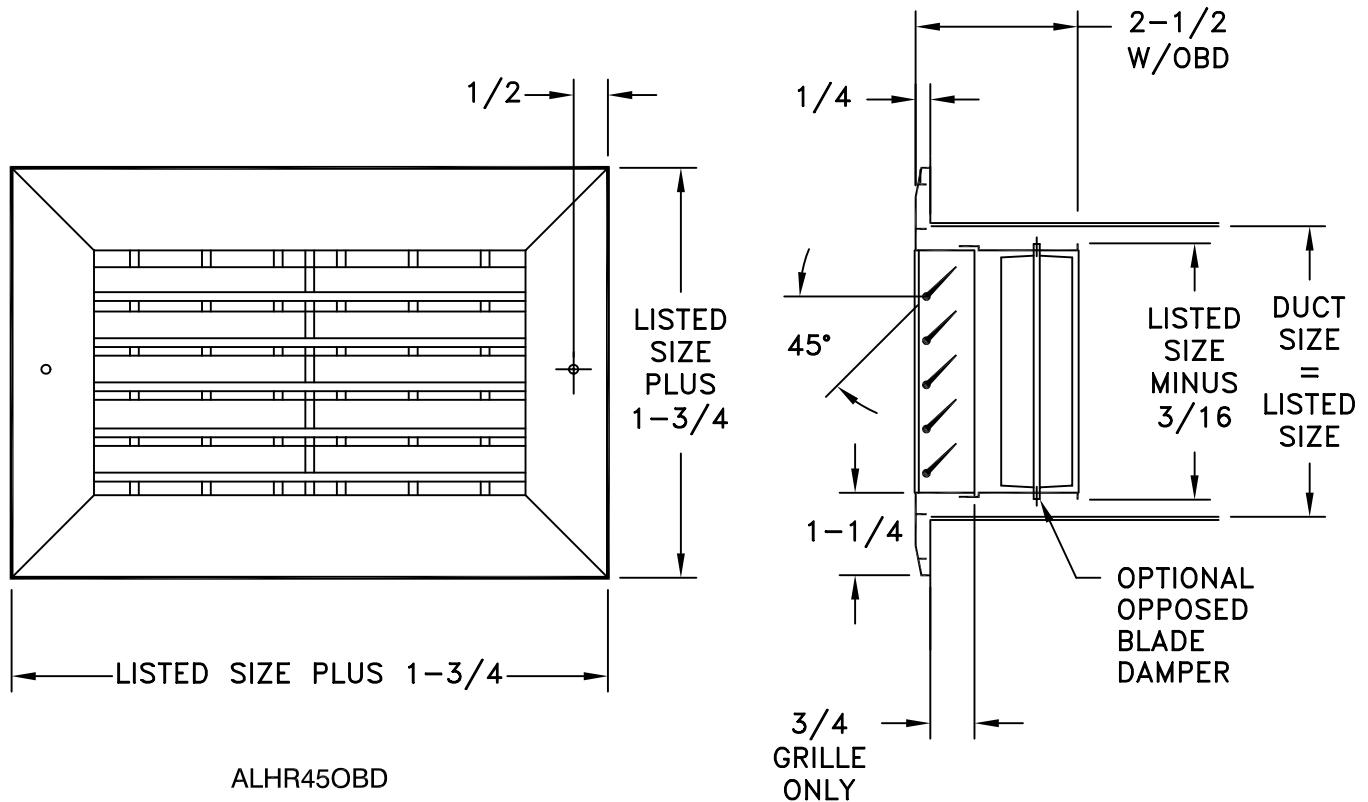


SERIES ALHR45, ALHR45OBD

EXTRUDED ALUMINUM RETURN GRILLES AND REGISTERS

STANDARD INDUSTRY TOLERANCES APPLY. SPECIFICATIONS SUBJECT TO CHANGE WITHOUT NOTICE.



ALHR45OBD

ALHR45

ALHR45OBD

Model ALHR45 with fixed horizontal face bars set at 45° is made of extruded aluminum construction. An opposed-blade damper (OBD) is optional. White (WHT) or clear anodized (CLR) finishes are available.

PROJECT: _____

ARCHITECT: _____

ENGINEER: _____

CONTRACTOR: _____

LOCATION: _____



J&J REGISTER
AIR DISTRIBUTION PRODUCTS