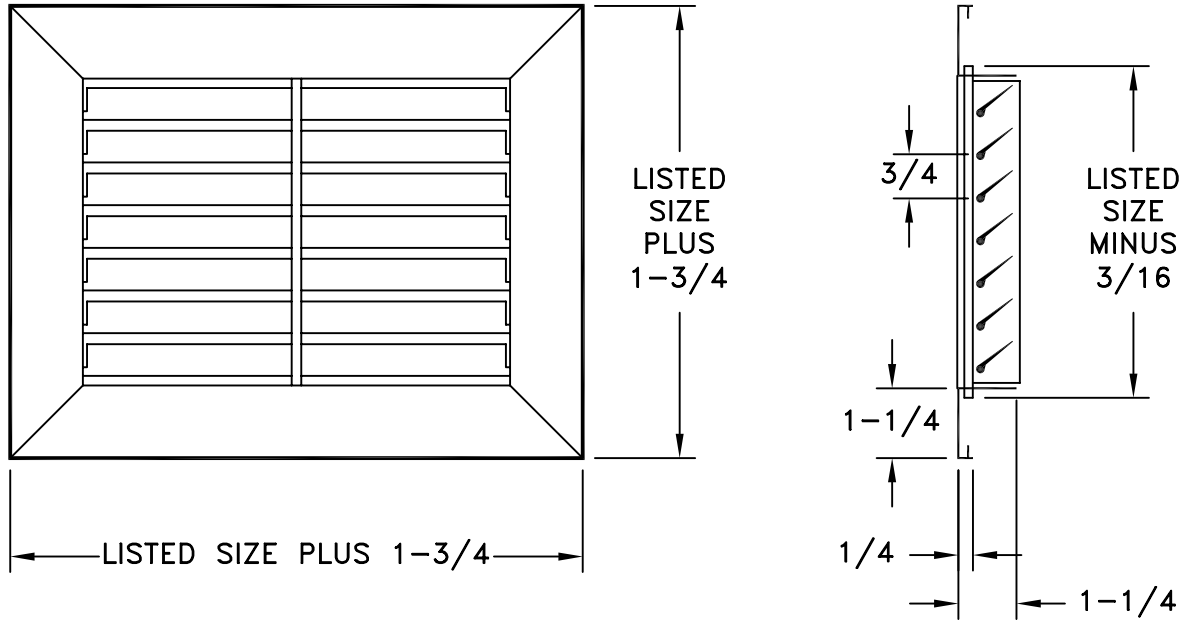


# SERIES ALHR45T

## EXTRUDED ALUMINUM T-BAR RETURN GRILLES

STANDARD INDUSTRY TOLERANCES APPLY. SPECIFICATIONS SUBJECT TO CHANGE WITHOUT NOTICE.



LISTED SIZE	T-BAR	OVERALL	FINISH
22 X 10	24 X 12	23- $\frac{3}{4}$ X 11- $\frac{3}{4}$	WHT
22 X 22	24 X 24	23- $\frac{3}{4}$ X 23- $\frac{3}{4}$	WHT OR CLR
46 X 22	48 X 24	47- $\frac{3}{4}$ X 23- $\frac{3}{4}$	WHT OR CLR

Model ALHR45T with fixed horizontal face bars set at 45° is made of extruded aluminum construction. Listed T-Bar sizes and White (WHT) or clear anodized (CLR) finishes are listed in the table.

PROJECT: \_\_\_\_\_  
 ARCHITECT: \_\_\_\_\_  
 ENGINEER: \_\_\_\_\_  
 CONTRACTOR: \_\_\_\_\_  
 LOCATION: \_\_\_\_\_



**J&J REGISTER**  
 AIR DISTRIBUTION PRODUCTS