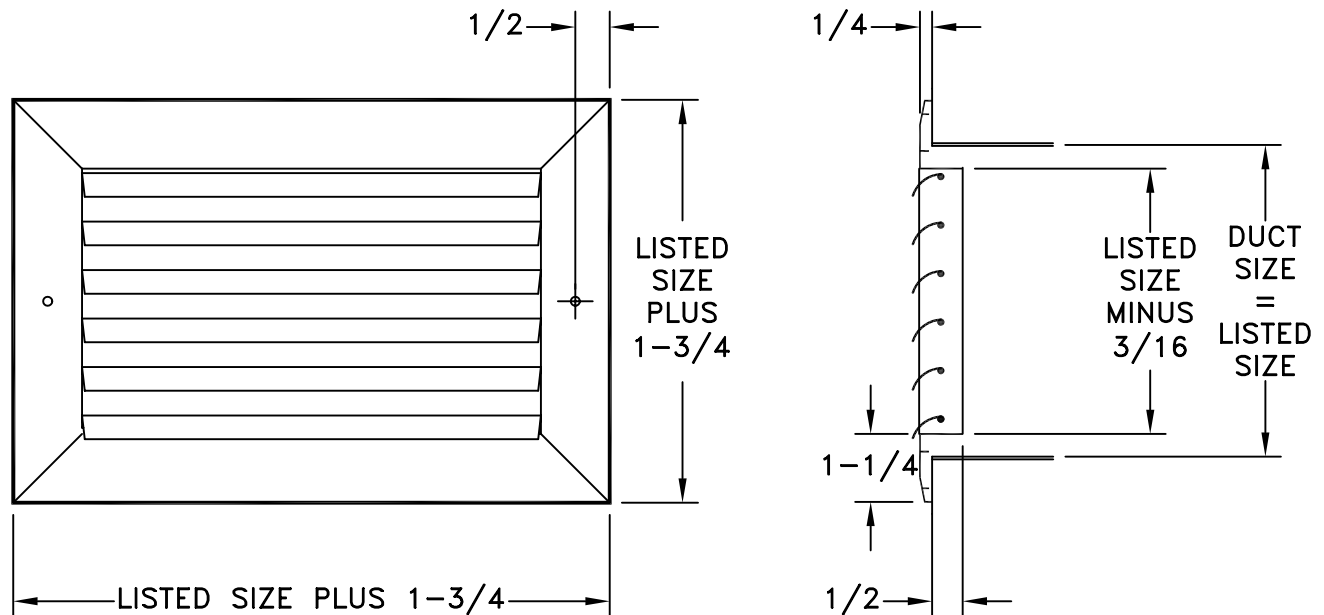


# SERIES ALC1, ALC2, ALC3, ALC4

## CURVED BLADE EXTRUDED ALUMINUM GRILLES

STANDARD INDUSTRY TOLERANCES APPLY. SPECIFICATIONS SUBJECT TO CHANGE WITHOUT NOTICE.



ALC1 1-WAY DEFLECTION

ALC1

ALC3

ALC2

ALC4

These extruded aluminum adjustable curved blade grilles are available in 1-, 2-, 3-, and 4-way deflections. This series is available with optional multi-louver or opposed-blade dampers. White (WHT) or clear anodized (CLR) finishes are available.

PROJECT: \_\_\_\_\_

ARCHITECT: \_\_\_\_\_

ENGINEER: \_\_\_\_\_

CONTRACTOR: \_\_\_\_\_

LOCATION: \_\_\_\_\_



**J&J REGISTER**  
AIR DISTRIBUTION PRODUCTS