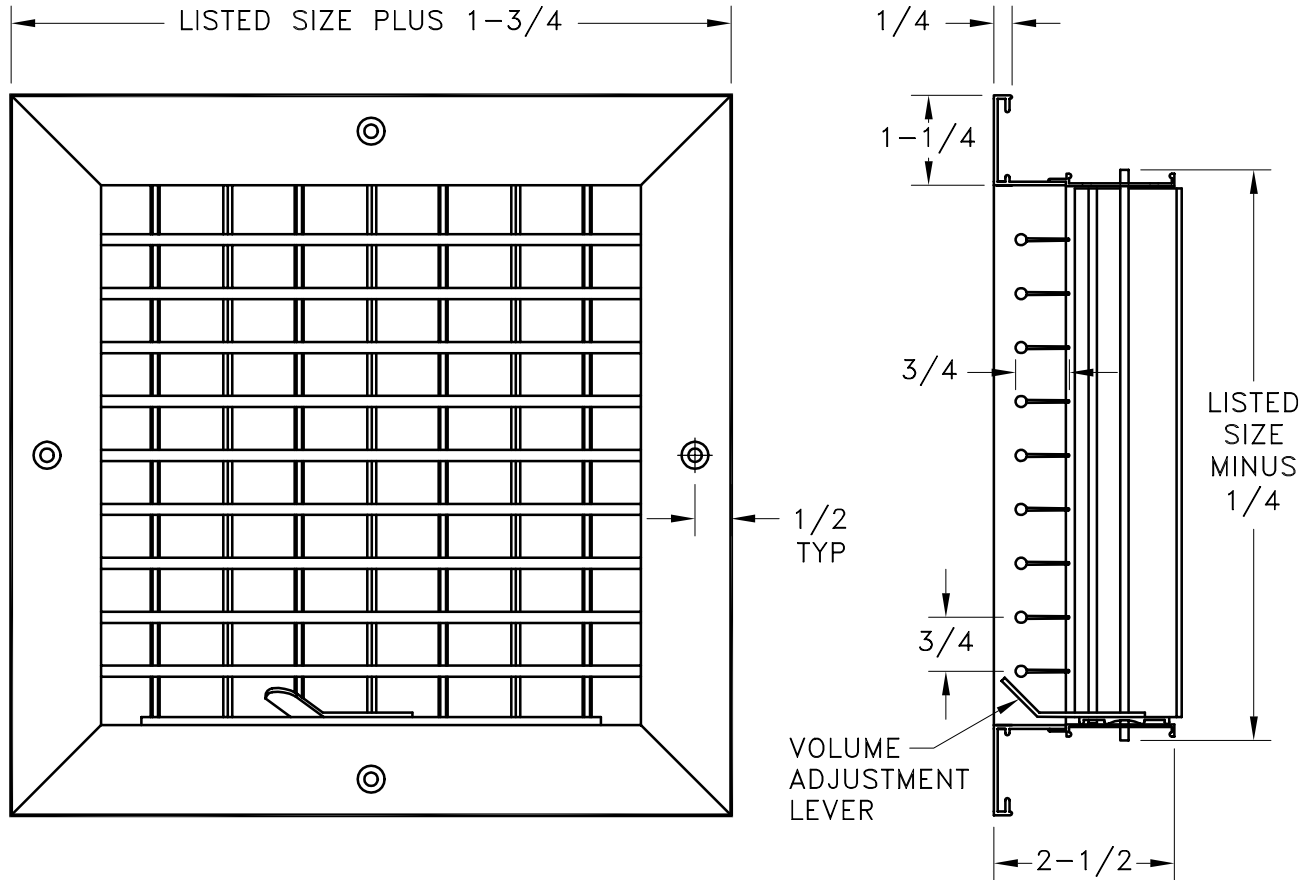


MODEL AL1130

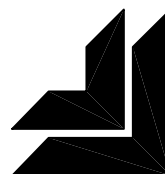
EVAPORATIVE COOLER DIFFUSER

STANDARD INDUSTRY TOLERANCES APPLY. SPECIFICATIONS SUBJECT TO CHANGE WITHOUT NOTICE.



Model AL1130 is a high volume diffuser for evaporative cooler application. The Model AL1130 comes with an integral opposed blade damper with a volume adjustment lever for face operation. The Model AL1130 is available in sizes 12 x 12 through 24 x 24 in 2 inch increments, center mullions are provided on sizes over 18 x 18. All extruded aluminum construction. Standard finish is white.

PROJECT: _____
 ARCHITECT: _____
 ENGINEER: _____
 CONTRACTOR: _____
 LOCATION: _____



J&J REGISTER
AIR DISTRIBUTION PRODUCTS