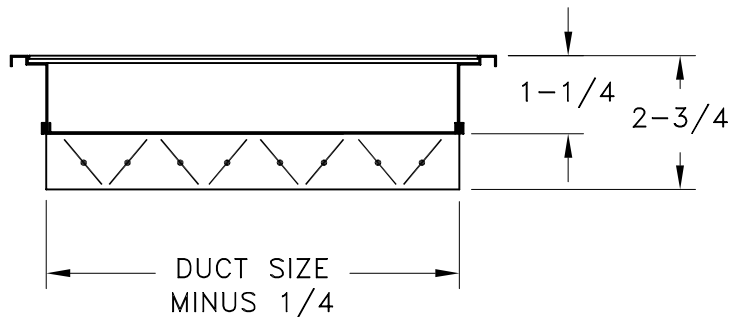
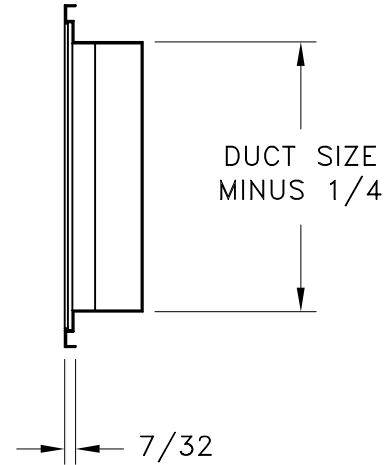
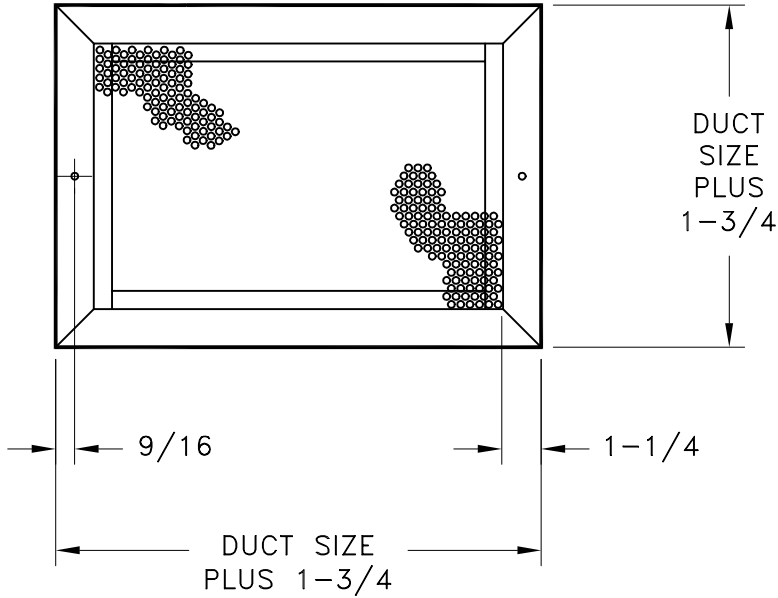


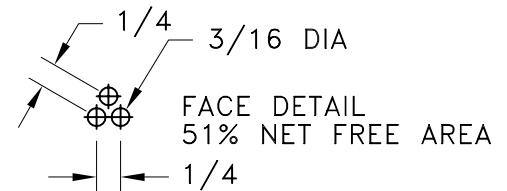
MODEL 12P

PERFORATED RETURN

STANDARD INDUSTRY TOLERANCES APPLY. SPECIFICATIONS SUBJECT TO CHANGE WITHOUT NOTICE.



FACE DETAIL



MODELS AVAILABLE

- 12P
- 12P-OB

Model 12P return has a perforated faceplate. It is designed for surface mounting (Frame 32), or lay-in T-Bar ceilings (Frame 33). Steel construction with optional steel OB. OB is screwdriver operated. Standard finish is white.

PROJECT: _____

ARCHITECT: _____

ENGINEER: _____

CONTRACTOR: _____

LOCATION: _____



J&J REGISTER
AIR DISTRIBUTION PRODUCTS