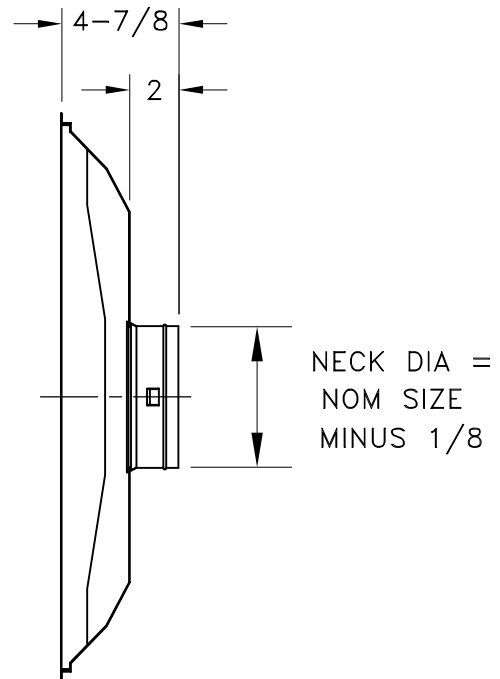
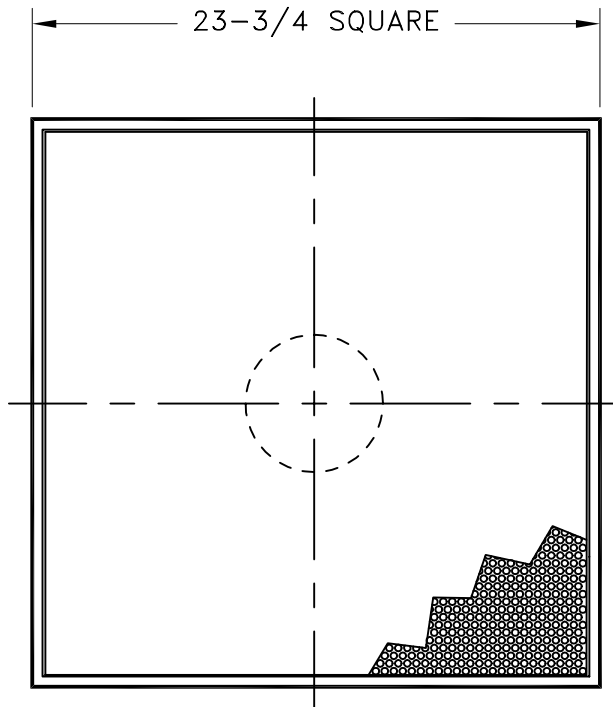


MODEL 1230

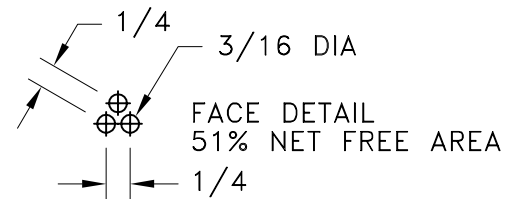
REMOVABLE FACE

PERFORATED RETURN

STANDARD INDUSTRY TOLERANCES APPLY. SPECIFICATIONS SUBJECT TO CHANGE WITHOUT NOTICE.



FACE DETAIL



Model 1230 returns have a hinged face plate that can be removed for cleaning. Matching return for models 1234 and 1235. Steel construction. Standard finish is white.

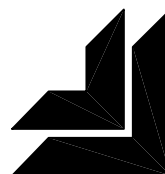
PROJECT: _____

ARCHITECT: _____

ENGINEER: _____

CONTRACTOR: _____

LOCATION: _____



J&J REGISTER
AIR DISTRIBUTION PRODUCTS