



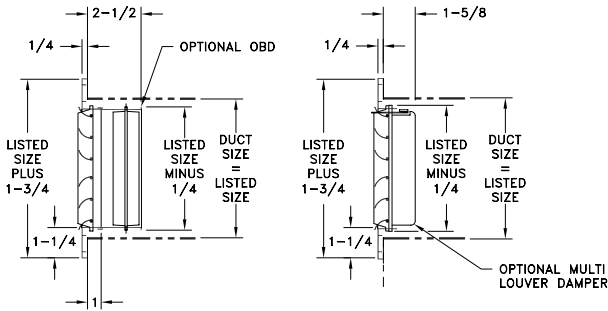
## Series 290 AL290

Curved-Blade Ceiling Diffuser  
with or without Damper

**Design**—Provides 1-, 2-, 3-, or 4-way air diffusion. Also available in two-way corner blow (specify 292C). Used in ceiling installations, curved blade provides optimum ceiling effect, resulting in longer throws. Exact air placement obtained by simple adjustment of blade setting.

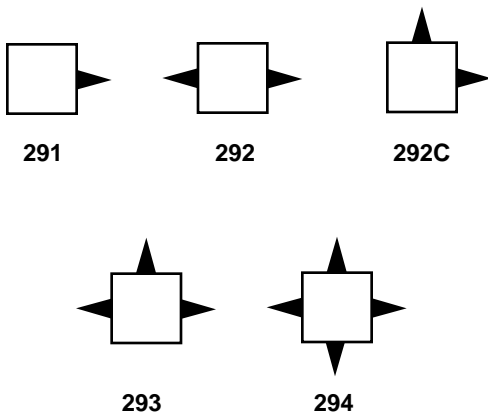
**Features**—Curved-blade design provides maximum air diffusion flexibility. Tension spring interwoven on blade pivot permits positive blade setting. Also available with Multi-Louver Damper (290ML), or Opposed Blade Damper (290OBD). Opposed Blade Damper is screw-driver operated.

**Construction**—Steel or Aluminum.  
Bright White finish standard.



### Patterns As Seen From Back of Diffuser

#### SQUARE



#### RECTANGULAR

